

Bracket Magnets



Description

Bracket Magnets may be used to rapidly deploy Syscor's PCU-00/01/11 field transmitters and HCD/W Hydrocarbon Detector Probes if a suitable surface is available.

The 88mm magnets can be bolted to each PCU's Floating Roof Mounting Bracket (3) or Universal Mounting Bracket (2). The rubber coating protects each magnet from water damage and softens contact on surfaces.

The 43mm magnets can support a Hydrocarbon Detector Probe when attached to a Hydrocarbon Detector Bracket.

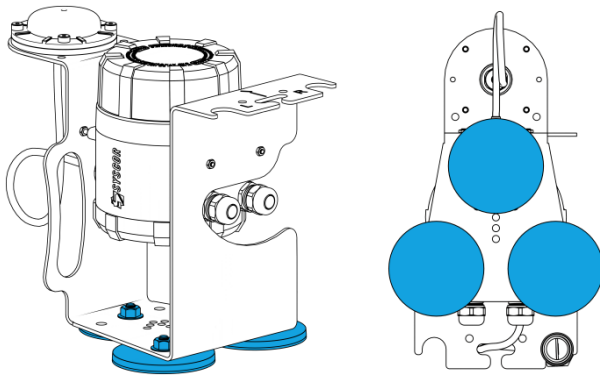


Figure 1. Ø 88mm Magnets attached to a Floating Roof Mounting Bracket

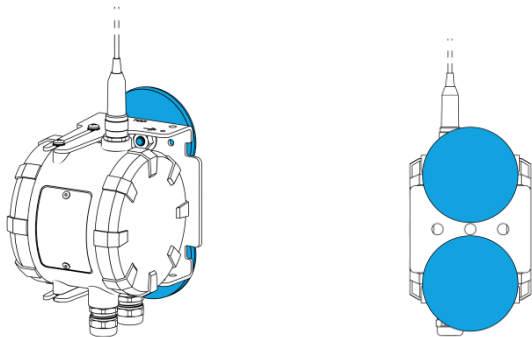
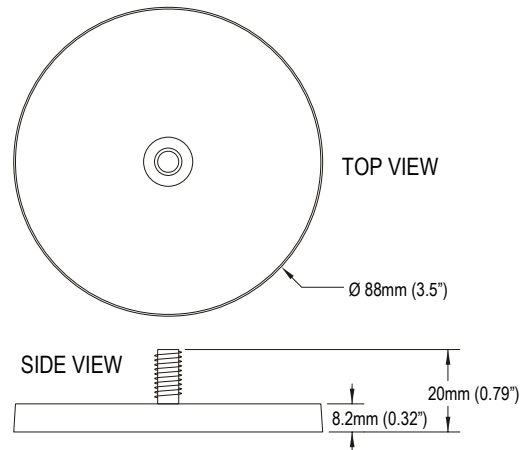


Figure 2. Ø 88mm Magnets attached to a Universal Mounting Bracket

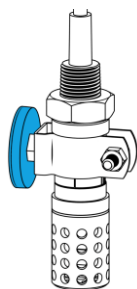
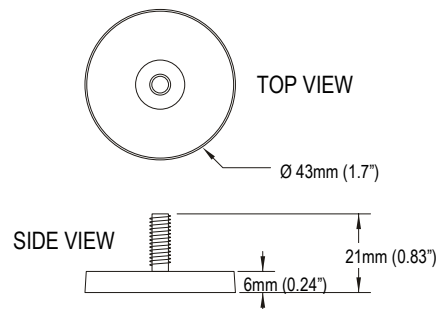


Figure 3. Ø 43mm Magnet attached to an HCD Mounting Bracket

Specifications

Ø 88mm Industrial Rare Earth Magnet

Size	Ø 88mm (3.5in.) x 20mm (0.79in.) in height (8.2mm (0.32in.) without shaft)
Material	Q235 Steel, Stainless Steel 304SS shaft
Coating	Non-flammable Nitrile Butadiene Rubber (NBR) with resistance to petroleum and UV light
Pull Strength	45kg (99.2lbs) per magnet

Ø 43mm Industrial Rare Earth Magnet

Size	Ø 43mm (1.7in.) x 21mm (0.83in.) in height (6mm (0.24in.) without shaft)
Material	Q235 Steel, Stainless Steel 304SS shaft
Coating	Non-flammable Nitrile Butadiene Rubber (NBR) with resistance to petroleum and UV light
Pull Strength	9.5kg (20.9lbs) per magnet

Learn More

PCU-X00 Repeater	syscor.com/downloads/syscor_spec-sheet_pcux00-wirelesshart-repeater_en_80173.pdf
PCU-X01 Sensor Hub	syscor.com/downloads/syscor_spec-sheet_pcux01-wirelesshart-sensorhub_en_80175.pdf
PCU-X11 Inclinometer	syscor.com/downloads/syscor_spec-sheet_pcux11-wirelesshart-inclinometer_en_80177.pdf
Floating Roof Mounting Bracket	syscor.com/downloads/syscor_spec-sheet_fr-mounting-bracket_en_80159.pdf
Universal Mounting Bracket	syscor.com/downloads/syscor_spec-sheet_universal-mounting-bracket_en_80163.pdf