

# Floating Roof Mounting Bracket

## Description

The Floating Roof Mounting Bracket can support Syscor's PCU-X11 Inclinator, two sensor probes, and a patch antenna. The bracket can be bolted to an optional Swivel Base ensuring rapid deployment and extraction.

If the Swivel Base is not required, three strong magnets can secure the bracket onto flat steel surfaces.

The Floating Roof Mounting Bracket is designed primarily for use in aboveground storage tank floating roof monitoring applications. However, it can be used for mounting Syscor monitoring systems to any flat steel surface if suitable for the site and application.

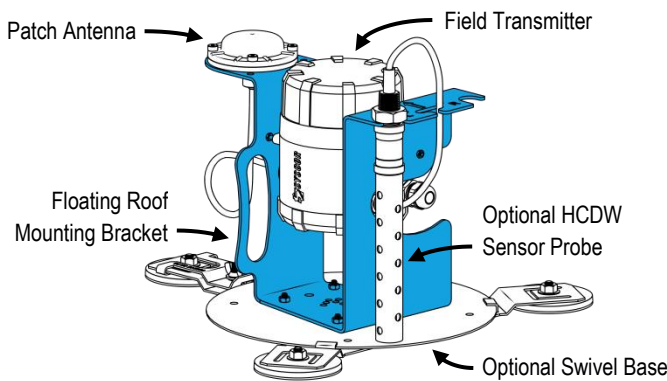


Figure 1. Floating Roof Bracket with supported equipment and optional Swivel Base.

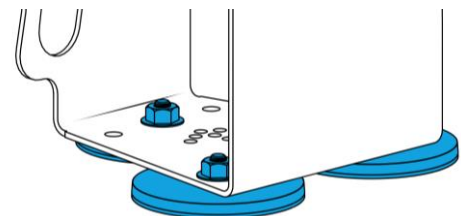
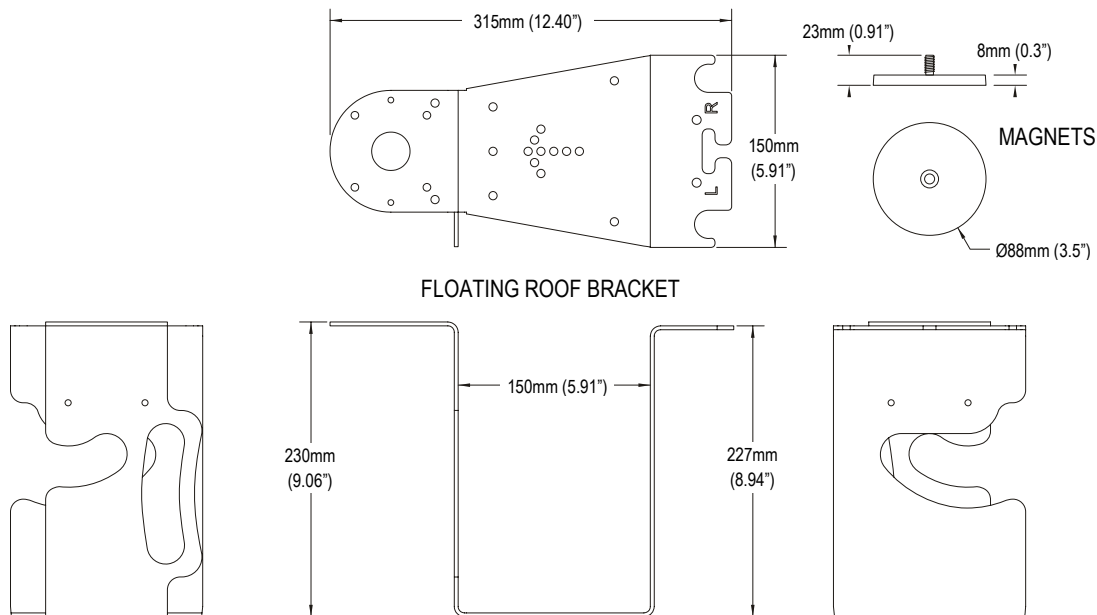


Figure 2. Three magnets attached to the Floating Roof Bracket



## Specifications

### Bracket

Material	SAE 304 Stainless Steel 11GA
----------	------------------------------

### Industrial Rare Earth Magnet x3

Size	Ø 88mm (3.5in.) x 23mm (0.91in.) in height (8mm (0.3in.) without shaft)
------	---

Material	Q235 Steel, Stainless Steel 304SS shaft
----------	---

Coating	Non-flammable Nitrile Butadiene Rubber (NBR) with resistance to petroleum and UV light
---------	--

Pull Strength	45kg (99.2lbs) per magnet
---------------	---------------------------

## Learn More

FR-Tracker 2.0	<a href="https://syscor.com/solutions/frtracker">syscor.com/solutions/frtracker</a>
PCU-X11 Inclinometer	<a href="https://syscor.com/downloads/syscor_spec-sheet_pcux11-wirelessart-inclinometer_en_80177.pdf">syscor.com/downloads/syscor_spec-sheet_pcux11-wirelessart-inclinometer_en_80177.pdf</a>
HCDW Hydrocarbon Detector Probe with Water Level	<a href="https://syscor.com/downloads/syscor_spec-sheet_fr-mounting-bracket_en_80159.pdf">syscor.com/downloads/syscor_spec-sheet_fr-mounting-bracket_en_80159.pdf</a>
RHCP Patch Antenna	<a href="https://syscor.com/downloads/syscor_spec-sheet_rhcp-antenna_en_80153.pdf">syscor.com/downloads/syscor_spec-sheet_rhcp-antenna_en_80153.pdf</a>
Swivel Base	<a href="https://syscor.com/downloads/syscor_spec-sheet_swivel-base_en_80161.pdf">syscor.com/downloads/syscor_spec-sheet_swivel-base_en_80161.pdf</a>