

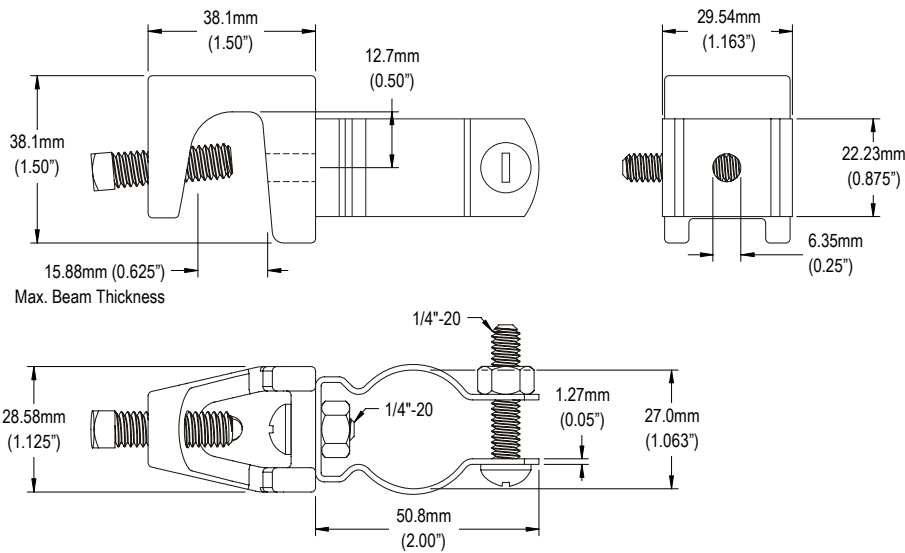
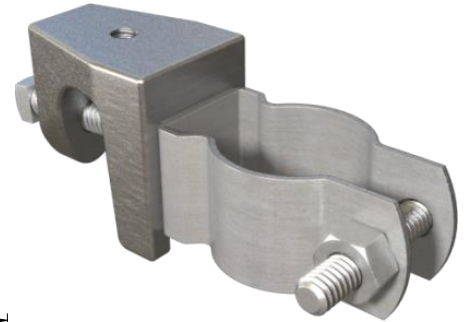
Hydrocarbon Detector Probe Mounting Bracket

Description

Syscor's Universal Mounting Bracket attaches Syscor's HCD, HCDW, and HCD-P Hydrocarbon Detector Probes to bolt holes, magnets, and beam flanges or other edges.

The bracket is configurable for various orientations and applications.

An optional magnet enables installation on flat steel surfaces.



Specifications

Beam Clamp

Material Zinc-Plated Iron

Clamping Hanger

Material SAE 304 Stainless Steel

Industrial Rare Earth Magnet (Optional)

Size \varnothing 43mm (1.7in.) x 20mm (0.79in.) in height (6mm (0.2in.) without shaft)

Material Q235 Steel, Stainless Steel 304SS shaft

Coating Non-flammable Nitrile Butadiene Rubber (NBR) with resistance to petroleum and UV light

Pull Strength 9.5kg (21lbs)

Mounting Hardware Options

Screw Mount Threaded holes in Beam Clamp are designed for 1/4"-20 screws. Clamping Hanger holes are 1/4" and not threaded.

Note: Use corrosion resistant stainless steel hardware

Learn More

HCD Hydrocarbon Detector Probe

syscor.com/downloads/syscor_spec-sheet_hcd-probe_en_80169.pdf

HCDW Hydrocarbon Detector Probe with Water Level

syscor.com/downloads/syscor_spec-sheet_hcdw-probe_en_80171.pdf

HCD-P Hydrocarbon Detector Probe with HDPE Enclosure

syscor.com/downloads/syscor_spec-sheet_hcdp-probe_en_80167.pdf