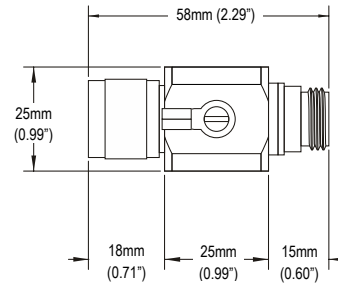


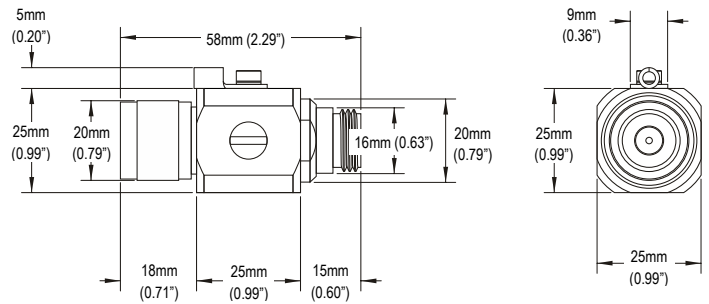
# N-Type Male-to-Female Indoor Surge Arrester



## Description

Syscor's optional Lightning Arresters prevent high-voltage transients, such as lightning, from damaging field devices.

The arresters can connect directly to a field device's Type-N female antenna port or with a coaxial cable, depending on the application. Arresters must be installed indoors or inside an enclosure, grounded, and sealed.



## Specifications

### Functional Specifications

Impedance	50Ω
Frequency band range	DC~2.5GHz
Maximum operational voltage	1000V
Dielectric voltage	2500V
Contact resistance	Inner conductor ≤10mΩ; outer conductor ≤5mΩ

### Physical Specifications

Center Contact Plating	Nickel
Housing material	Brass HPb59-1 GB4425-84; Overlay-nickel plating
Insulator	PTFE
Rubber Washer	Silicone rubber 6146
Gas discharge tube arrester	90V/230V/350V
Weight	150g (5.29oz)
Connection	Threaded N-type male-to-female
Mating Cycles	500+

### Performance Specifications

Operating Temp.	-40°C to +85°C [-40°F to +185°F]
-----------------	----------------------------------

## Relevant Standards

Electrical	IEC 60169 RoHS
Environmental Protection	IP 20

## Learn More

Antennas	<a href="https://syscor.com/products/antennas/">syscor.com/products/antennas/</a>
PCU-X00 Repeater	<a href="https://syscor.com/downloads/syscor_spec-sheet_pcux00-wirelesshart-repeater_en_80173.pdf">syscor.com/downloads/syscor_spec-sheet_pcux00-wirelesshart-repeater_en_80173.pdf</a>
PCU-X01 Sensor Hub	<a href="https://syscor.com/downloads/syscor_spec-sheet_pcux01-wirelesshart-sensorhub_en_80175.pdf">syscor.com/downloads/syscor_spec-sheet_pcux01-wirelesshart-sensorhub_en_80175.pdf</a>
PCU-X11 Inclinometer	<a href="https://syscor.com/downloads/syscor_spec-sheet_pcux11-wirelesshart-inclinometer_en_80177.pdf">syscor.com/downloads/syscor_spec-sheet_pcux11-wirelesshart-inclinometer_en_80177.pdf</a>