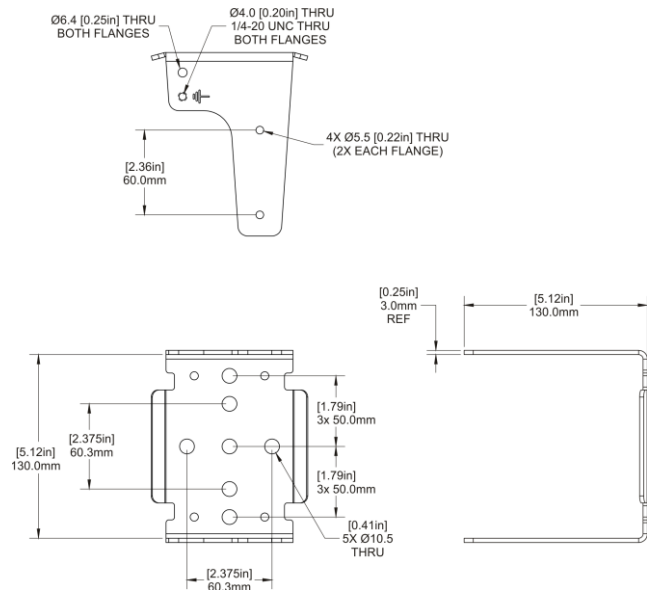


# Standard Mounting Bracket



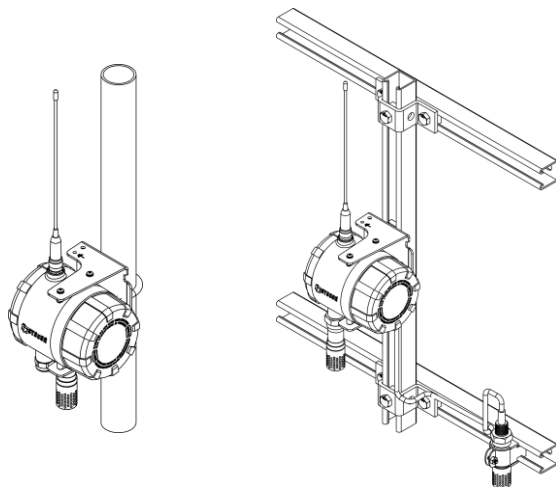
## Overview

Syscor's standard mounting bracket is typically used to mount the Syscor Tracker™ WirelessHART Field Transmitter or WirelessHART Data Repeater.

The hole pattern on the bracket is sized to allow for:

- U-bolt mounting in both horizontal and vertical orientations,
- strut channel mounting in a number of orientations depending on the holes selected, and
- screw mounting directly to metal or wood substrates.

For strut channel and direct screw mounting, Syscor recommends that a minimum of two screws be used to mount the bracket.



HC-Tracker™ Field Transmitter installation examples

## Specifications

<b>Bracket</b>	
Material	SAE 304 Stainless Steel 11GA
Finish	As formed
<b>Mounting Hardware Options</b>	
U-bolts	2-3/8 in. center-to-center spacing, 3/8 in. threads
Strut Channel	U-bolt or any hardware that uses 3/8 in. dia. bolts
Screw Mount	Bracket holes are designed for #12 screws Any 3/16 in., #10, or #12 screws with washers under the heads are suitable
Cable Ties	3/8 in. or 10mm stainless steel locking cable ties
Note: Use corrosion resistant stainless steel hardware	

## How to Purchase

Visit [syscor.com](http://syscor.com) for more information. Contact Syscor to discuss your specific site and application requirements.

## Contact Information

**Syscor Controls & Automation Inc.**  
 201 - 60 Bastion Square  
 Victoria, BC V8W 1J2  
 Canada  
 Toll Free Canada/USA: +1-833-361-1681  
 Tel: +1-250-361-1681  
 Fax: +1-250-361-1682  
 Email: [contact@syscor.com](mailto:contact@syscor.com)  
 Web site: [syscor.com](http://syscor.com)